

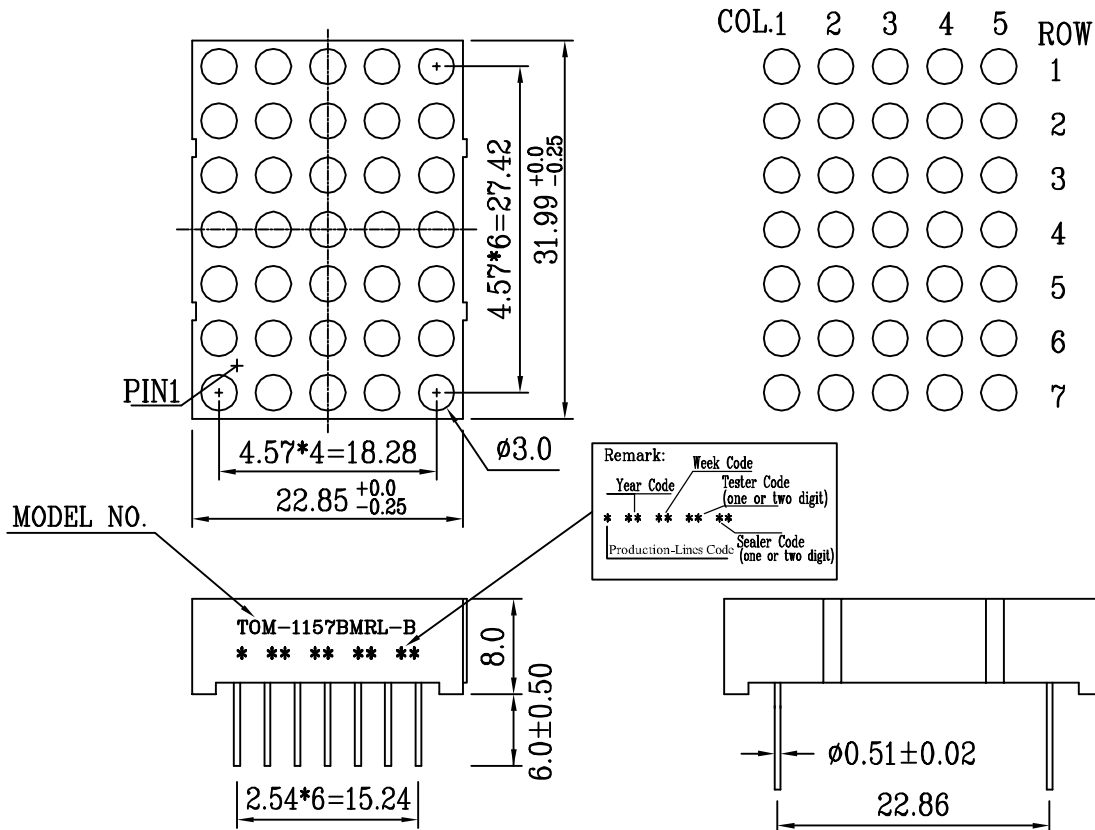


TAIWAN OASIS LED DATA SHEET

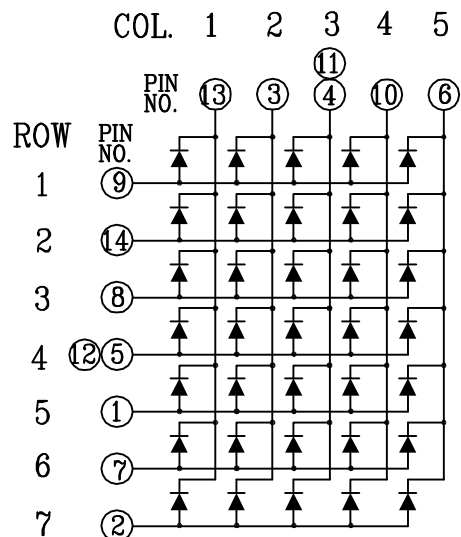
PART NO. : TOM-1157BMRL-B

APPEARANCE			TECHNOLOGY	AlGaInP/GaAs
FACE	SEGMENT	PIN	SOURCE COLOR	Ultra-red
			DRIVER MODE	Row Anode
Black	White	ø0.51x10.28	PACKING	Styrene Foam

PACKAGE DIMENSIONS



INTERNAL CIRCUIT DIAGRAM



DATE	10/23/08'	SCALE	1.5:1	DRAWING NO.	S-1157BMRL-B-A	DRAWN	C.D.P	CHECKED	
UNIT	M/M	SHEET NO.	1/2			CUSTOMER		APPROVED	



TAIWAN OASIS LED DATA SHEET

PART NO. : TOM-1157BMRL-B

ABSOLUTE MAXIMUM RATINGS AT TA=25°C

PARAMETER	VALUE	UNITS
Power Dissipation Per Dot	60	mW
Peak Forward Current Per Dot (1/10 Duty Cycle, 0.1ms Pulse Width)	80	mA
Continuous Forward Current Per Dot	20	mA
Recommend Operating Current	12	mA
Reverse Voltage Per Dot	5	V
Operating Temperature Range	-25 to +85	°C
Storage Temperature Range	-30 to +85	°C
Lead-Free Solder Temperature(1/16 Inch Below Seating Plane)	260°C for 3 sec.	

ELECTRICAL/OPTICAL CHARACTERISTICS AT TA=25°C

PARAMETER	SYMBOL	MIN.	TYP.	MAX.	UNITS	TEST CONDITION
Luminous Intensity Per Dot	I _v		15524		ucd	I _F =10mA
Dominant Emission Wavelength	λ _d		640		nm	I _F =20mA
Spectral Line Half-Width	Δλ		15		nm	I _F =20mA
Forward Voltage Per Dot	V _F	1.8	2.0	2.3	V	I _F =20mA
Reverse Current Per Dot	I _R			100	μA	V _R =5V
Luminous Intensity Matching Rate	I _v -m			2.0:1		I _F =20mA

Notes: Above specification may be changed without notice.

DATE	10/23/08'	SCALE	_____	DRAWING NO.	S-1157BMRL-B-A	DRAWN	C.D.P	CHECKED	
UNIT	_____	SHEET NO.	2/2			CUSTOMER		APPROVED	